

■ 特長 FEATURES

- ブラシレス、金属遊星ギヤタイプ
- 制御回路内蔵モデル
- Brushless DC motor, Metal planetary gear type
- Model with built-in control circuit

RoHS 指令対応 RoHS compliant



■ 型式表示 PART NUMBER DESIGNATION

**LB16MG - 060 - AA - 00**

Series name

Rated voltage

A : 6 VDC B : 12 VDC

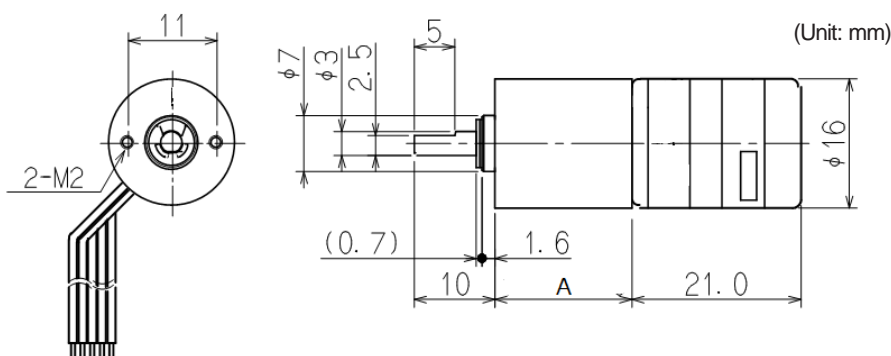
Gear ratio

015 : 1/15 030 : 1/30 060 : 1/60 120 : 1/120  
240 : 1/240 300 : 1/300 500 : 1/500 650 : 1/650

■ 型式および仕様一覧表 LIST OF PART NUMBERS & SPECIFICATIONS

| 型式名<br>Model     | 定格電圧<br>Rated voltage<br>[V] | 減速比<br>Gear ratio |       | 定格(推奨)負荷<br>Rated (recommended) load |                                      |                       | 無負荷<br>No-load                       |                       | 起動<br>Stall            |                       | 許容トルク<br>Allowable torque<br>[mNm] | 電流制限<br>Current limit<br>[mA] | 最大出力<br>Maximum output power<br>[W] | 質量<br>Mass<br>[g] |
|------------------|------------------------------|-------------------|-------|--------------------------------------|--------------------------------------|-----------------------|--------------------------------------|-----------------------|------------------------|-----------------------|------------------------------------|-------------------------------|-------------------------------------|-------------------|
|                  |                              | 呼称<br>Nominal     | [1/x] | トルク<br>Torque<br>[mNm]               | 回転数<br>Speed<br>[min <sup>-1</sup> ] | 電流<br>Current<br>[mA] | 回転数<br>Speed<br>[min <sup>-1</sup> ] | 電流<br>Current<br>[mA] | トルク<br>Torque<br>[mNm] | 電流<br>Current<br>[mA] |                                    |                               |                                     |                   |
| LB16MG-015-AA-00 | 6                            | 15                | 16    | 5                                    | 489                                  | 200                   | 570                                  | 100                   | 35                     | 800                   | 8                                  | 800                           | 0.6                                 | 28                |
| LB16MG-030-AA-00 |                              | 30                | 28.5  | 10                                   | 267                                  | 217                   | 320                                  | 100                   | 60                     | 800                   | 15                                 |                               | 0.6                                 |                   |
| LB16MG-060-AA-00 |                              | 60                | 64    | 20                                   | 112                                  | 240                   | 140                                  | 100                   | 100                    | 800                   | 25                                 |                               | 0.4                                 |                   |
| LB16MG-120-AA-00 |                              | 120               | 107.2 | 30                                   | 67                                   | 211                   | 80                                   | 100                   | 190                    | 800                   | 45                                 |                               | 0.4                                 | 38                |
| LB16MG-240-AA-00 |                              | 240               | 256   | 60                                   | 27                                   | 214                   | 32                                   | 100                   | 370                    | 800                   | 80                                 |                               | 0.4                                 |                   |
| LB16MG-300-AA-00 |                              | 300               | 304   | 100                                  | 22                                   | 240                   | 27                                   | 100                   | 500                    | 800                   | 150                                |                               | 0.4                                 |                   |
| LB16MG-500-AA-00 |                              | 500               | 509   | 150                                  | 13.2                                 | 224                   | 16                                   | 100                   | 850                    | 800                   | 200                                |                               | 0.4                                 |                   |
| LB16MG-650-AA-00 |                              | 650               | 643   | 200                                  | 10                                   | 249                   | 13                                   | 100                   | 940                    | 800                   | 250                                |                               | 0.4                                 |                   |

■ 外形寸法図 OUTLINE DIMENSIONS



Mark A

| Gear ratio | 1/15 | 1/30 | 1/60 | 1/120 | 1/240 | 1/300 | 1/500 | 1/650 |
|------------|------|------|------|-------|-------|-------|-------|-------|
| A          | 14   |      | 17   |       | 20    |       |       |       |

**■ PERFORMANCE CURVES**

(Figures in the table are typical values under rated operating condition.)

