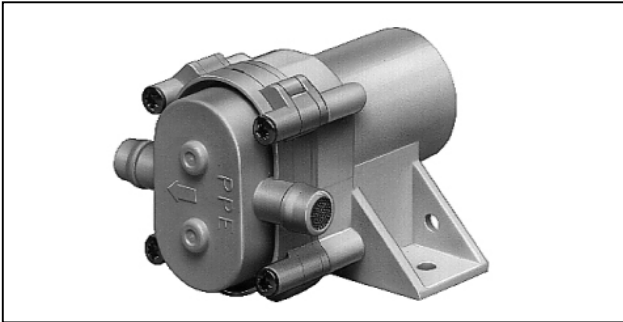


■ **NTGM**



■ **Applications**

Water supply pump to refrigerator
automatic ice maker

■ **Features**

Self absorption system by gear pump.

■ **Specifications**

Motor drive parts	Rated voltage	DC10~13V
	Current input	250mA or less
Flow performance		Flow rate 1.3L/min or more at pump head 600mm
Self absorption		Yes. 150mm or more
Operating time		About 30 s
Operating temperature		0~20°C

NIDEC SANKYO CORPORATION

For additional information, please contact our sales.

Tokyo Office

Nidec Tokyo Bldg., 1-20-13 Osaki, Shinagawa-ku, Tokyo 141-0032, Japan Tel:(81)3-5740-3000