

PM with Gear Box type Stepping Motors MSKRB series

MSKRB series



Standard specifications

Size (mm)	Φ6 × L11.73
Weight (g)	1.0
Resistance (Ω)	14
Gear ratio	1/47
Rated voltage (V)	3.5
Excitation	2 phase
Driving waveform	bi-polar
Step angle (deg.)	18
Max self start frequency (pps)	2500
Operating temperature (°C)	-20~60

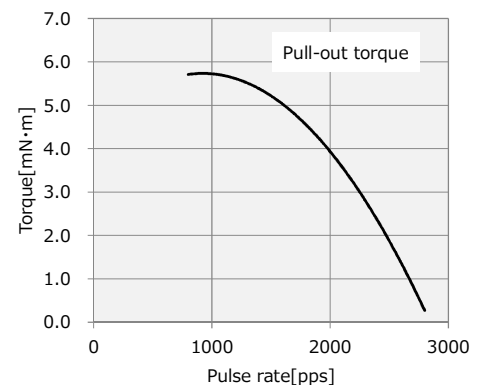
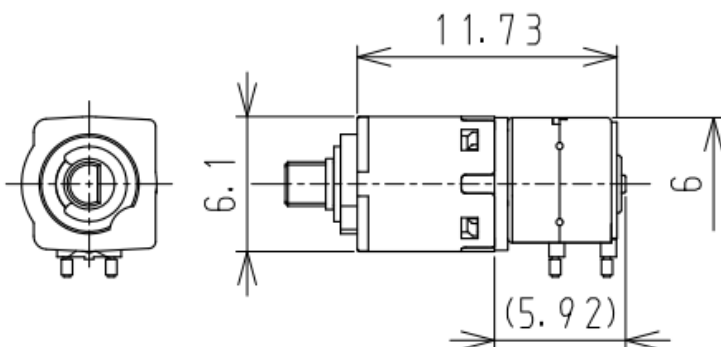
Applications

Mobile device

Characteristics

This motor has a high torque due to the large reduction ratio achieved by the ultra-small diameter planetary gearbox. It is suitable for space-saving and high-load applications such as mobile devices.

Dimensions / Torque characteristic



Characteristic data is based on standard specifications

NIDEC SANKYO CORPORATION

For additional information, please contact our sales.

Tokyo Office

Nidec Tokyo Bldg., 1-20-13 Osaki, Shinagawa-ku, Tokyo 141-0032, Japan Tel:(81)3-5740-3000