

PM with Gear Box Stepping Motors MSFJC series

■ MSFJC series



■ Applications

Home appliance

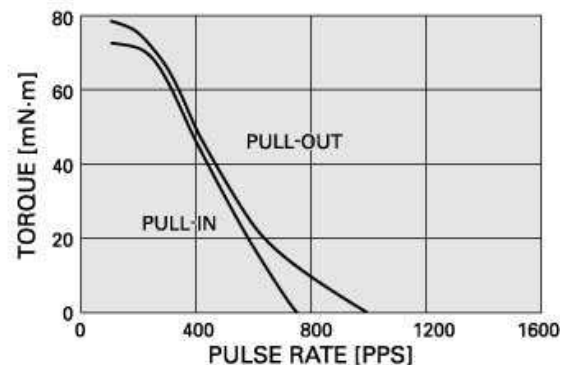
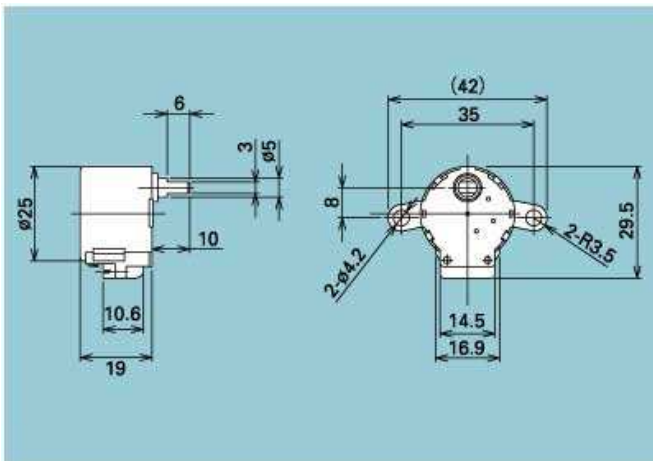
■ Characteristics

REACH and RoHS compliant

■ Standard specifications

Size (mm)		Φ25 × L19
Weight (g)		35.0
Resistance (Ω)		380
Gear ratio		1/64
Rated voltage (V)		12
Driving waveform		Rectangle
Excitation		1-2Ex
Stepp angle (deg)		5.625/64(1-2Ex.)
Friction torque (mN·m)		58.8~245
Detent torque (mN·m)		58.8 or more
Max self start frequency (pps)		400 or more
Max response frequency (pps)		700 or more
Power supply type	FPC	
	Lead wire	○
	Pin connector	○
Operating temperature (°C)		-5~40

■ Dimensions / Torque characteristic



Characteristic data is based on standard specifications

NIDEC SANKYO CORPORATION

For additional information, please contact our sales.

Tokyo Office

Nidec Tokyo Bldg., 1-20-13 Osaki, Shinagawa-ku, Tokyo 141-0032, Japan Tel:(81)3-5740-3000