

PM with Gear Box type Stepping Motors MSFBC series

MSFBC series



Standard specifications

Size (mm)	Φ30 × L17	
Weight (g)	50.0	
Resistance (Ω)	160	
Gear ratio	1/85.25	
Rated voltage (V)	12	
Driving waveform	Ractangle	
Excitation	1-2Ex	
Step angle (deg)	7.5/85(1-2Ex.)	
Friction torque (mN·m)	58.8~196	
Detent torque (mN·m)	39.2 or more	
Max self start frequency (pps)	500 or more	
Max response frequency (pps)	800 or more	
Power supply type	FPC	
	Lead wire	○
	Pin connector	○
Operating temperature (°C)	-5~40	

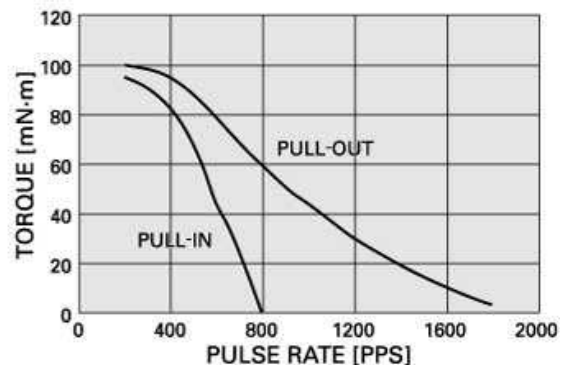
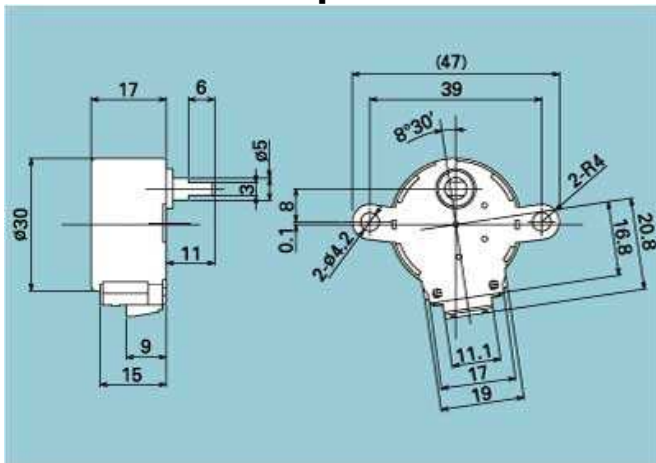
Applications

Home appliance

Characteristics

REACH and RoHS compliant

Dimensions / Torque characteristic



Characteristic data is based on standard specifications

NIDEC SANKYO CORPORATION

For additional information, please contact our sales.

Tokyo Office

Nidec Tokyo Bldg., 1-20-13 Osaki, Shinagawa-ku, Tokyo 141-0032, Japan Tel:(81)3-5740-3000