

# PM type Stepping Motors MSEV series

## MSEV series



## Applications

Camera instrument

## Characteristics

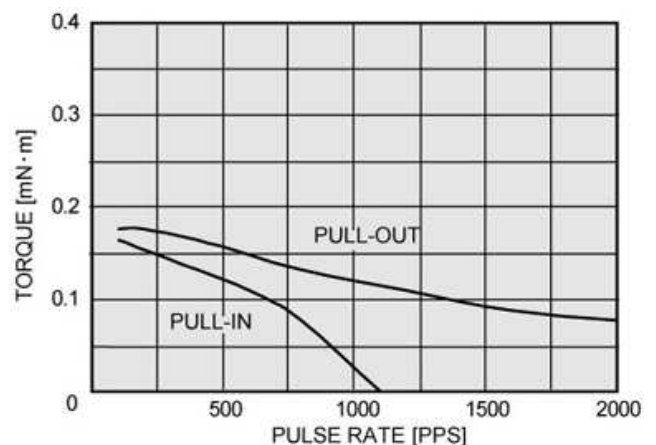
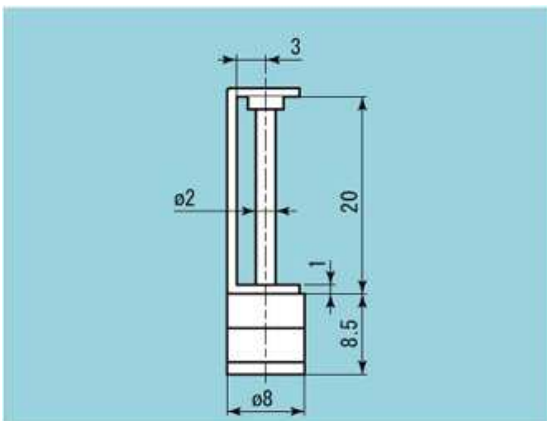
REACH and RoHS  
compliant

Low noise, Low vibration,  
Long life

## Standard specifications

Size (mm)	Φ8 × L8.5	
Weight (g)	3.0	
Resistance (Ω)	60	
Rated voltage (V)	3.0	
Driving waveform	Rectangle	
Excitation	2 phase	
Step angle (° )	18.0	
Step accuracy (%)	20	
Holding torque (mN·m)	0.18	
Detent torque ( mN·m )	0.010	
Max self start frequency (pps)	1100	
Power supply type	FPC	○
	Lead wire	
	Pin connector	
Operating temperature (°C)	-10~70	

## Dimensions / Torque characteristic



Characteristic data is based on standard specifications

## NIDEC SANKYO CORPORATION

For additional information, please contact our sales.

### Tokyo Office

Nidec Tokyo Bldg., 1-20-13 Osaki, Shinagawa-ku, Tokyo 141-0032, Japan Tel:(81)3-5740-3000