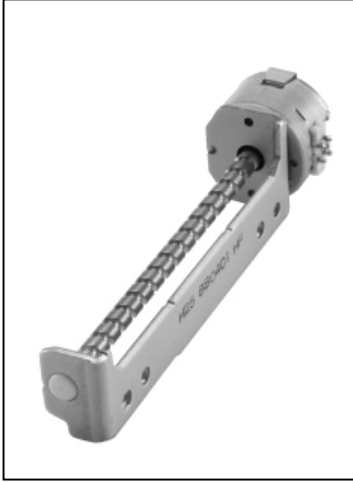


PM type Stepping Motors MSDP series

MSDP series



Standard specifications

Size (mm)	Φ15 × L12.2	
Weight (g)	17.0	
Resistance (Ω)	10	
Rated Voltage (V)	4.5	
Driving waveform	Rectangle	
Excitation	2 phase	
Step angle (°)	18.0	
Step accuracy (%)	10	
Holding torque (mN·m)	2.95	
Detent torque (mN·m)	0.2	
Max self start frequency (pps)	1300	
Power supply type	FPC	○
	Lead wire	
	Pin connector	
Operating temperature (°C)	-10~70	

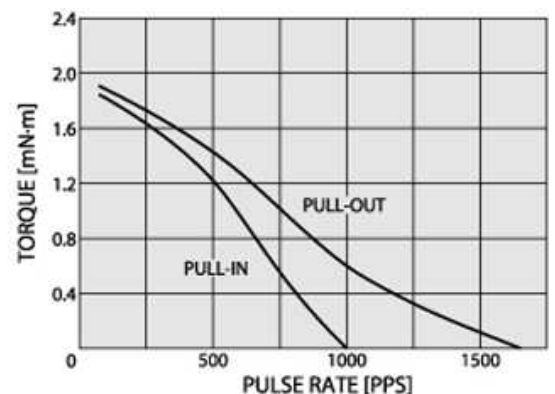
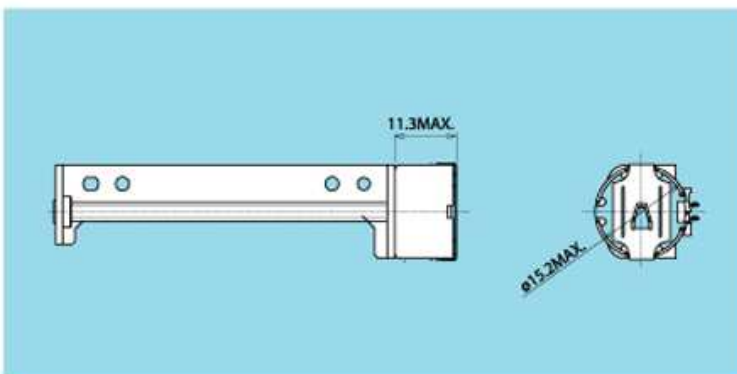
Applications

Information equipment

Characteristics

REACH and RoHS compliant

Dimensions / Torque characteristic



Characteristic data is based on standard specifications

NIDEC SANKYO CORPORATION

For additional information, please contact our sales.

Tokyo Office

Nidec Tokyo Bldg., 1-20-13 Osaki, Shinagawa-ku, Tokyo 141-0032, Japan Tel:(81)3-5740-3000