

PM type Stepping Motors MSCV series

■ MSCV series



■ Applications

Camera instrument

■ Characteristics

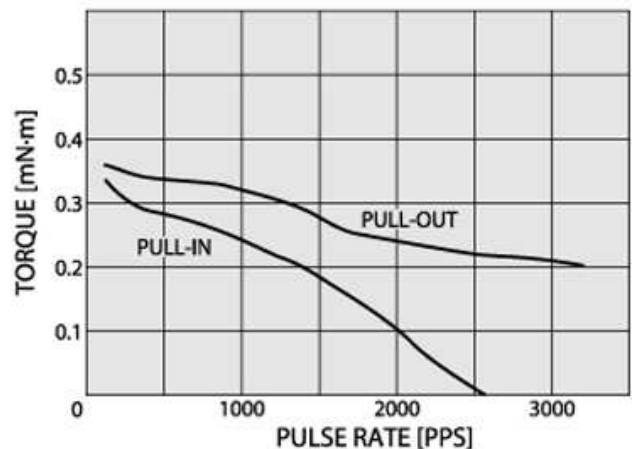
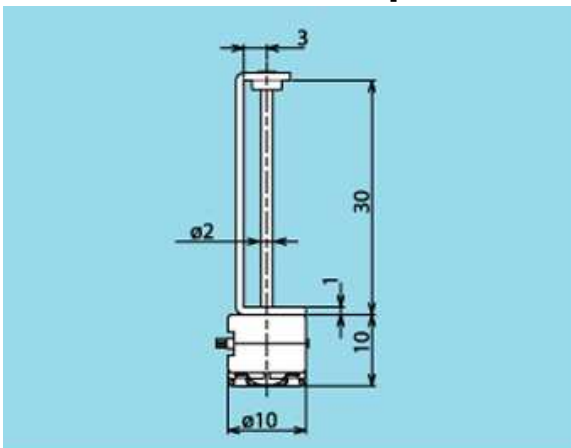
REACH and RoHS compliant

Low noise, Low vibration,
Long life

■ Standard specifications

Size (mm)	Φ10 × L10	
Weight (g)	8.0	
Resistance (Ω)	60	
Rated voltage (V)	3.0	
Driving waveform	Rectangle	
Excitation	2 phase	
Step angle (°)	18.0	
Step accuracy (%)	20	
Holding torque (mN·m)	0.34	
Detent torque (mN·m)	0.010	
Max self start frequency (pps)	2000	
Power supply type	FPC	○
	Lead wire	
	Pin connector	
Operating temperature (°C)	-10~70	

■ Dimensions / Torque characteristic



Characteristic data is based on standard specifications

NIDEC SANKYO CORPORATION

For additional information, please contact our sales.

Tokyo Office

Nidec Tokyo Bldg., 1-20-13 Osaki, Shinagawa-ku, Tokyo 141-0032, Japan Tel:(81)3-5740-3000